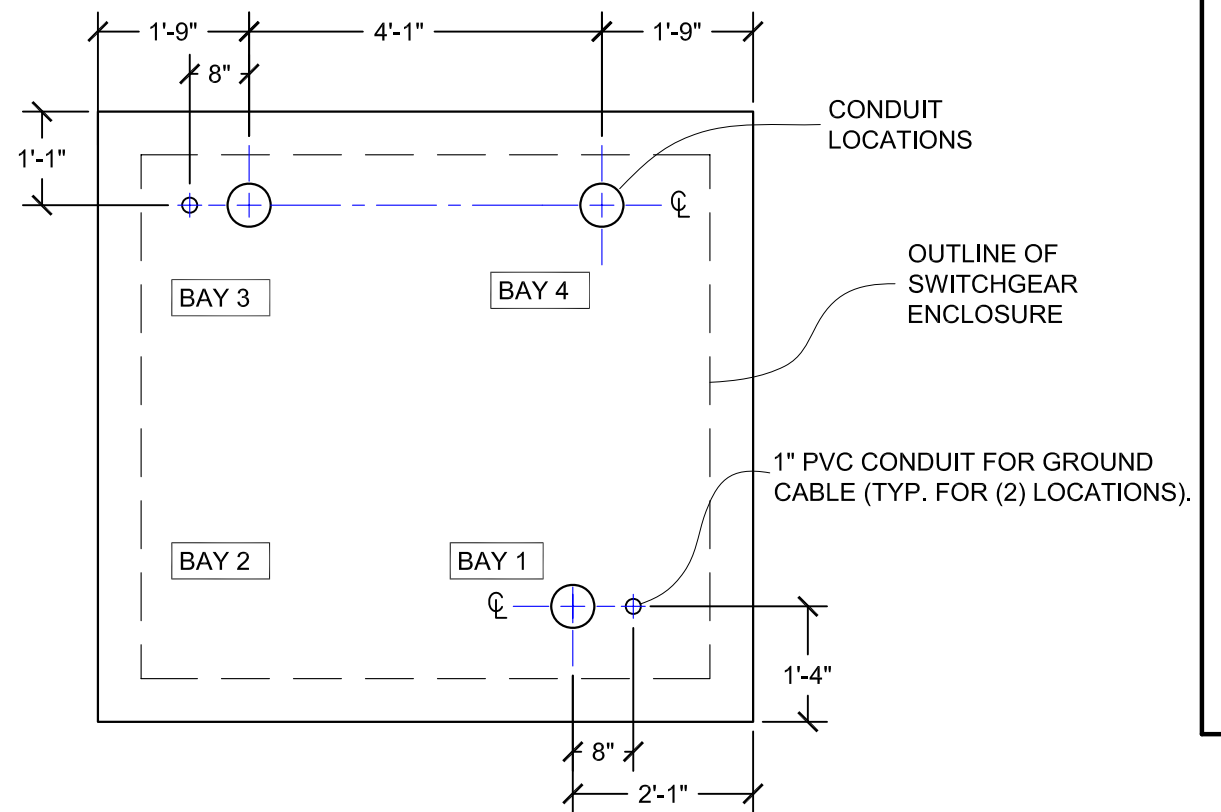
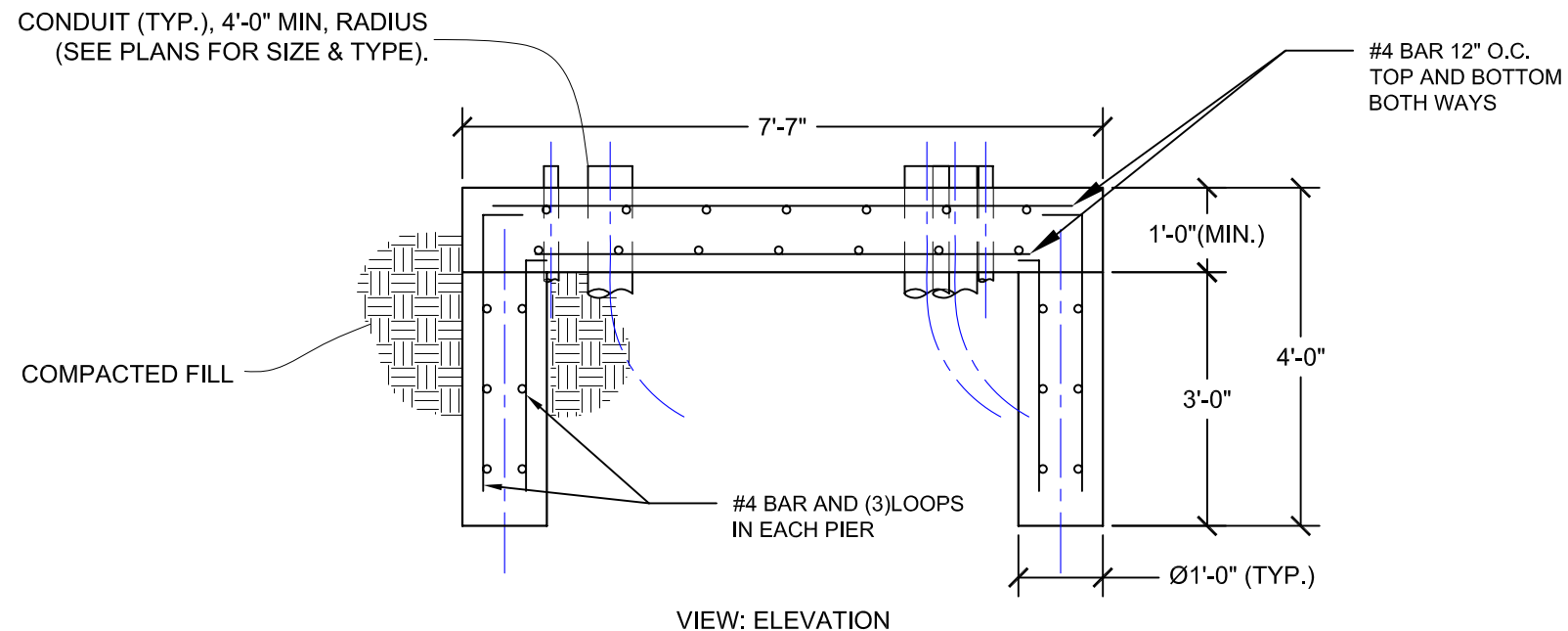


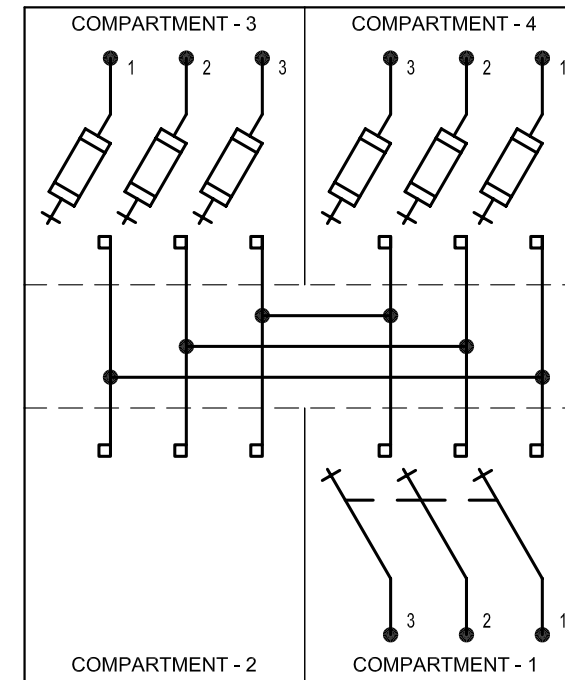
PLAN VIEW: PIER ORIENTATION



PLAN VIEW: CONDUIT LOCATIONS



VIEW: ELEVATION



PMH-7 CONNECTION DIAGRAM

**MATERIAL NOTES:**

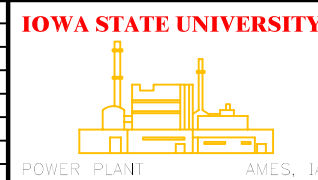
CONCRETE:  
28 DAY STRENGTH - 4000 PSI  
COARSE AGGREGATE - 1" LIMESTONE  
AIR ENTRAINING - 5% TO 7%

CONCRETE REINFORCEMENT:  
ASTM A615 GRADE 60.

**NOTES:**

CONCRETE PAD MINIMUM 6" ABOVE FINISHED GROUND AND LEVEL.  
ADJUST THICKNESS TO ACCOMODATE GRADING

ENGR: RKL		DATE: 8/28/2009	
RKL	Date	Revision	By
SCALE = NTS			



FACILITIES PLANNING  
&  
MANAGEMENT  
UTILITY SERVICES

DWG. TITLE: SWITCHGEAR S&C PMH 7	
TYPE: CONCRETE DETAIL	
DWG. NO.: EU-3_PMH 7 SWGR FOUNDATION	REV.:
SHEET: 1 OF 1	

DWG. TITLE: SWITCHGEAR S&C PMH 7

TYPE: CONCRETE DETAIL

DWG. NO.: EU-3\_PMH 7 SWGR FOUNDATION

REV.: SHEET: 1 OF 1